

Installation Guidelines

Arroyo™ Drain Board and Arroyo™ Outlet Channel

Prefabricated Soil Sheet Drain

Required Materials

1. 2' X 50' rolls of Arroyo™ Outlet Channel.
2. 4' x 50' rolls of Arroyo™ Drain Board sheet drain, if full wall drainage is required.
3. 3" wide duct tape or similar
4. Attached materials (see below)
5. Knife or scissors
6. Rubber hammer

Drain Attachment Methods

For attaching drain to waterproofing material, concrete or wood, several methods may be used including rounded-edge, metal stick pins; construction adhesives, such as Polybond Clear Adhesive; or double-sided tape. Discuss adhesive materials compatibility with waterproofing supplier before installation. Typically any method used for attaching waterproofing protection board will work for drain.

Clean Wall/ Waterproof / Insulate

Clean wall and apply waterproofing or insulation (if required).

INSTALLATION

Installing First Row of Drain

(The Arroyo™ Outlet Channel sheet drain row)
The first row of drain to be installed is the Arroyo™ Outlet Channel at the bottom of the wall. The drain should sit on top of the footing with the high-profile part of the drain at the bottom to provide high lateral water flow.

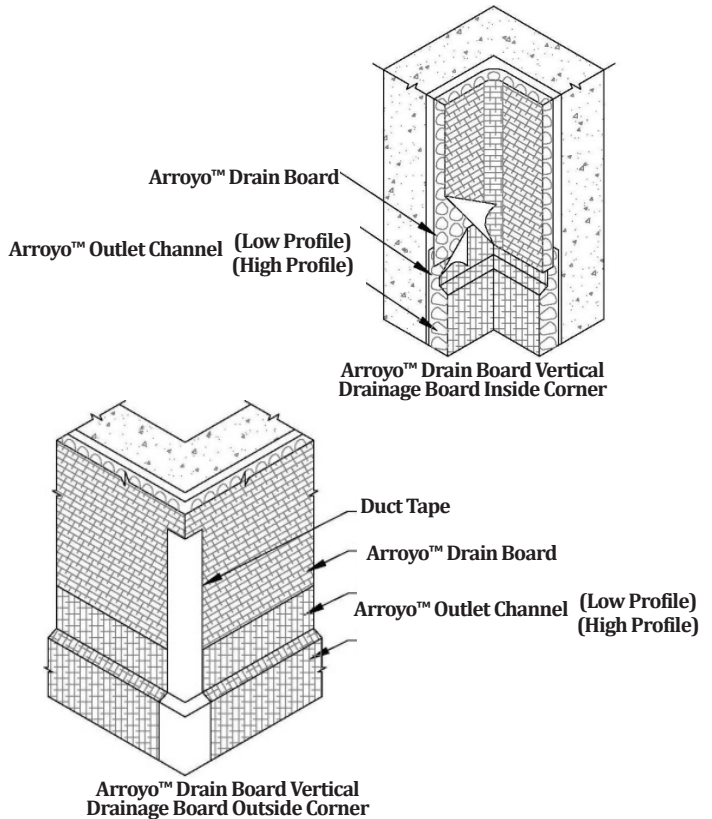
If not using Arroyo™ Drain Board sheet drain for full wall coverage, close the top end of the drain to prevent soil intrusion by folding the fabric behind the drain. Close the high-profile section with 3" underground tape.

Installing Next Row of Arroyo

To attach the next roll of Arroyo™ Outlet Channel drain, butt to adjacent roll and tape joint or cut two rows of dimples from previously applied drainage panel. Do not cut fabric. Interlock two rows and secure connection. Overlap fabric and apply 3" wide tape from the top to the bottom of the joint to prevent soil intrusion.

Going Around Corners

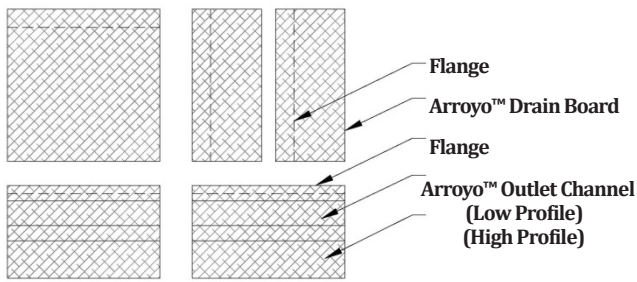
Bend drain to make inside corners. For outside corners, cut the low-profile core flush with corner and tape edges. Slit fabric on high-profile section; bend around corner. Apply scrap of fabric and tape in place. Refer to Outside Corner Image.



Connecting Arroyo™ Drain Board Sheet Drain If full wall drainage is required, Arroyo™ Drain Board soil sheet drain is attached above the Arroyo™ Outlet Channel sheet drain. Arroyo™ Drain Board sheet drain may be installed either horizontally or vertically.

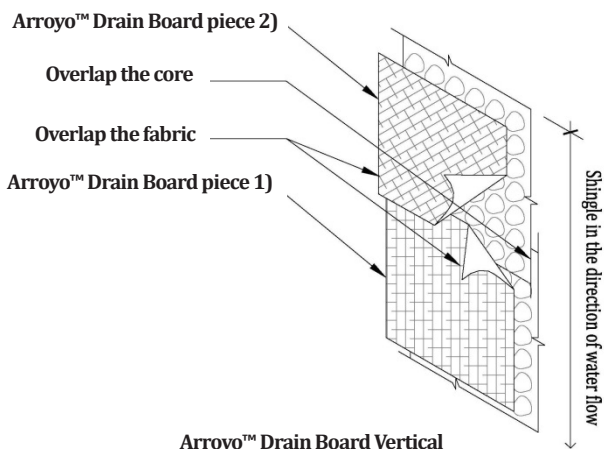
Vertical Wall

When the Arroyo™ Drain Board sheet drain is installed vertically, face the flange in the direction opposite of the Arroyo™ Outlet Channel water flow. When the Arroyo™ Drain Board sheet drain is installed horizontally, place the edge of the core with the flange at the top. This flange position, similar to roof shingle applications, minimizes seepage of water behind the drain. Fold back the fabric at the top of the Arroyo™ Outlet Channel sheet drain and place the Arroyo™ Drain Board sheet drain on top of the Arroyo™ Outlet Channel core flange. Fold fabric from sheet drain section down over the Arroyo™ Outlet Channel section and secure with 3" tape.



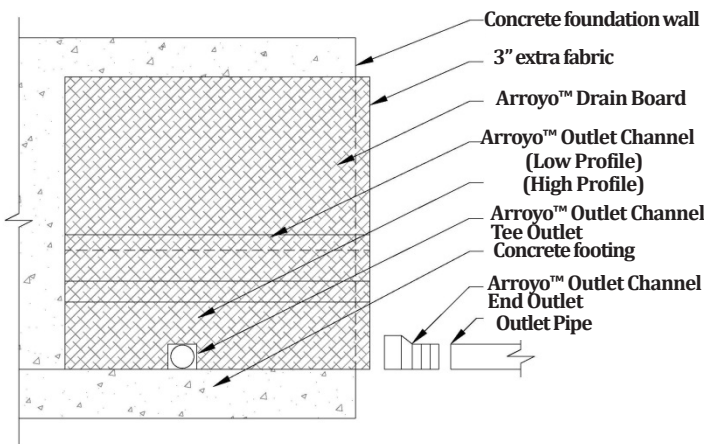
Arroyo™ Drain Board Vertical Drainage Board Layout

Attaching Next Roll of Arroyo™ Drain Board



Arroyo™ Drain Board Vertical Drainage Board Overlap

Fold back edge of fabric on lower (or downstream) drain. Do not detach from dimples. Place cones of upper (upstream) drain over flange of lower drain. Overlap fabric of upper drain over lower drain. Seal seam with 3" tape.



Arroyo™ Drain Board Vertical Drainage Board Accessories

Retaining Walls

Cut bottom of drain to match bottom of wall (Cut 1/2-inch diameter holes in flat back of core, opposite fabric) at weep locations. DO NOT CUT FABRIC. Place drain on wall fabric toward soil. Tuck extra fabric at downstream edge of core. Attach drain with appropriate attachment method.

Shoring Walls

Place drain with fabric side toward soil to be drained. Cut 1/2" diameter holes on flat back of core at discharge pipe location. DO NOT CUT FABRIC. Concrete or gunnite/shotcrete may be placed directly against the core side of the drain.

Sealing Edges

All edges of drain should have extra fabric tucked behind core edge seal to prevent soil from entering core

Installation Under Slabs

Arroyo sheet drains have a compressive strength rated to 11,000 psf. Your slab should be engineered accordingly. For under floor slab installation, position Arroyo™ Outlet Channel sheet drain as shown with geotextile to soil side. Waterproofing and/or floor slab can be applied directly to the back of the core.

Quantity To Order

It is suggested that in the absence of exact information on the amount of material required, add 5% to the estimated quantity.

SAFETY

SDS sheets for all Poly Wall® Building Solutions products can be obtained at our website www.poly-wall.com. Call Poly Wall® Building Solutions at (888) 976-7659 with questions.

TECHNICAL SERVICES

Technical assistance, information and Poly Wall® products are available through a nationwide network of distributors, or contact Poly Wall® Building Solutions.

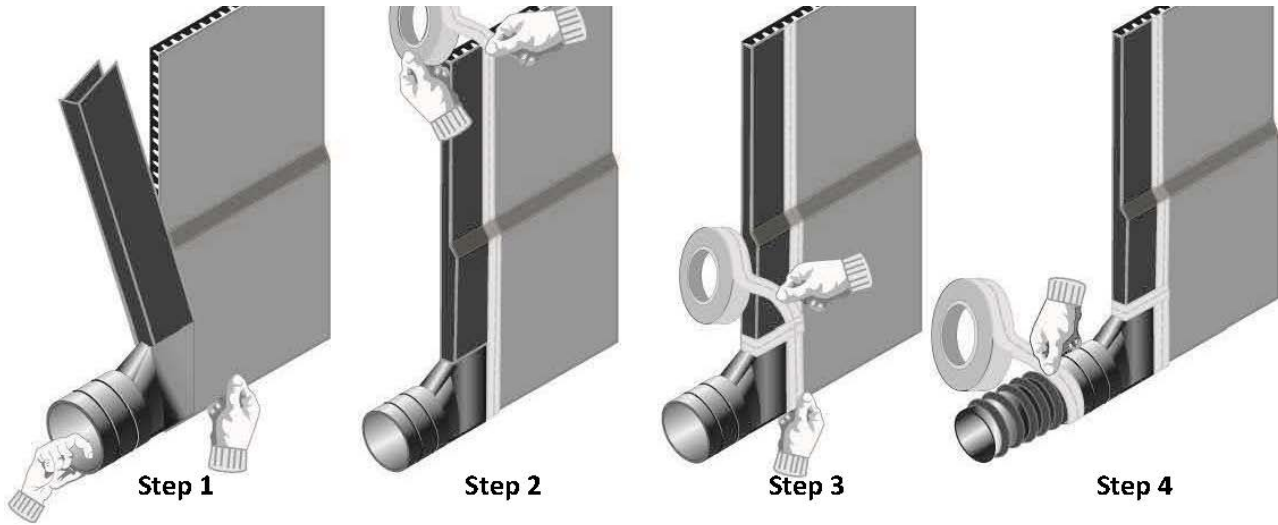
P.O. Box 755, Ennis, TX 75120-0755

888-976-7659

Email: tech@poly-wall.com

Website: www.poly-wall.com

Arroyo™ Outlet Channel End Outlets



Arroyo™ Outlet Channel Tee Outlets

