

Installation Guidelines

Polyflow® 10 and Totalflow™ Prefabricated Soil Sheet Drain

Required Materials

1. 2' X 50' rolls of Totalflow™
2. 4' x 50' rolls of Polyflow® 10, if full wall drainage is required.
3. 3" wide duct tape or similar.
4. Attached materials (see below)
5. Knife or scissors
6. Rubber hammer

Drain Attachment Methods

For attaching drain to waterproofing material, concrete or wood, several methods may be used including rounded-edge, metal stick pins; construction adhesives, such as Quick Grip Spray Adhesive; or double-sided tape. Discuss adhesive materials compatibility with waterproofing supplier before installation. Typically, any method used for attaching waterproofing protection board will work for drain.

Clean Wall/ Waterproof / Insulate

Clean wall and apply waterproofing or insulation (if required).

INSTALLATION

Installing First Row of Sheet Drain

(The Totalflow™ sheet drain row)

The first row of drain to be installed is the Totalflow™ sheet drain at the bottom of the wall. The drain should sit on top of the footing with the high-profile part of the drain at the bottom to provide high lateral water flow.

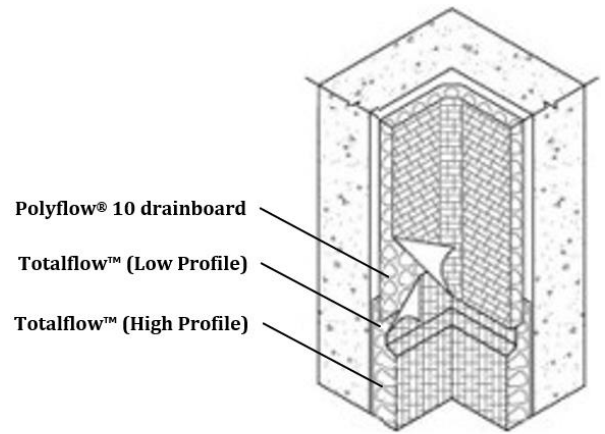
If not using Polyflow® 10 sheet drain for full wall coverage, close the top end of the drain to prevent soil intrusion by folding the fabric behind the drain. Close the high-profile section with 3" duct tape.

Installing Next Row of Sheet Drain

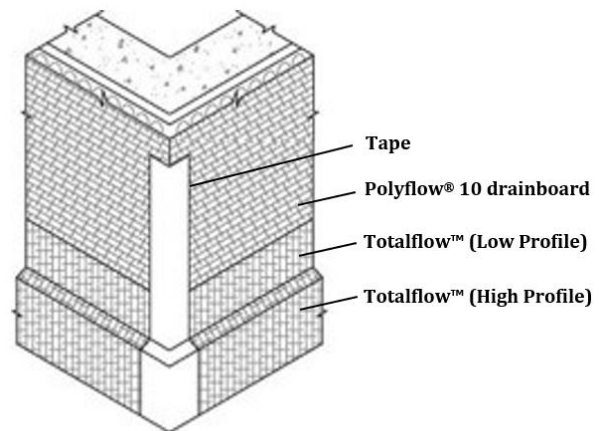
To attach the next roll of Totalflow™ sheet drain, butt to adjacent roll and tape joint or cut two rows of dimples from previously applied drainage panel. Do not cut fabric. Interlock two rows and secure connection. Overlap fabric and apply 3" wide tape from the top to the bottom of the joint to prevent soil intrusion.

Going Around Corners

Bend drain to make inside corners. For outside corners, cut the low-profile core flush with corner and tape edges. Slit fabric on high-profile section; bend around corner. Apply scrap of fabric and tape in place. Refer to Outside Corner Image.



Polyflow® 10 Vertical Drainage Board Outside Corner



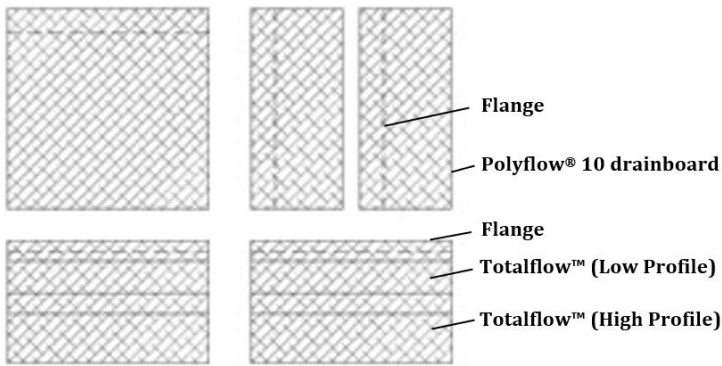
Polyflow® 10 Vertical Drainage Board Inside Corner

Connecting Totalflow™ Sheet Drain

If full wall drainage is required, Polyflow® 10 sheet drain is attached above the Totalflow™ sheet drain. Polyflow® 10 sheet drain may be installed either horizontally or vertically.

Vertical Wall

When the Polyflow® 10 sheet drain is installed vertically, face the flange in the direction opposite of the Totalflow™ water flow. When the Polyflow® 10 sheet drain is installed horizontally, place the edge of the core with the flange at the top. This flange position, similar to roof shingle applications, minimizes seepage of water behind the drain. Fold back the fabric at the top of the Totalflow™ sheet drain and place the Polyflow® 10 sheet drain on top of the Totalflow™ core flange. Fold fabric from sheet drain section down over the Totalflow™ section and secure with 3" tape.



Polyflow® 10 Vertical Drainage Board Layout

Shoring Walls

Place drain with fabric side toward soil to be drained. Cut 1/2" diameter holes on flat back of core at discharge pipe location. DO NOT CUT FABRIC. Concrete or gunnite/shotcrete may be placed directly against the core side of the drain.

Sealing Edges

All edges of drain should have extra fabric tucked behind core edge seal to prevent soil from entering core

Quantity To Order

It is suggested that in the absence of exact information on the amount of material required, add 5% to the estimated quantity.

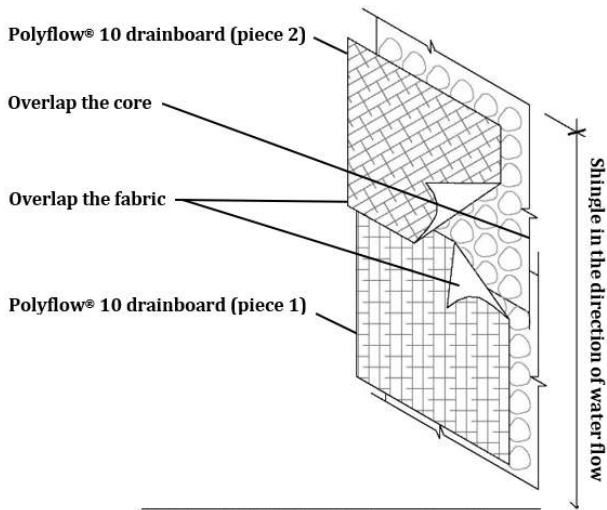
SAFETY

SDS sheets for all Poly Wall® Building Solutions products can be obtained at our website www.poly-wall.com. Call Poly Wall® Building Solutions at (888) 976-7659 with questions.

TECHNICAL SERVICES

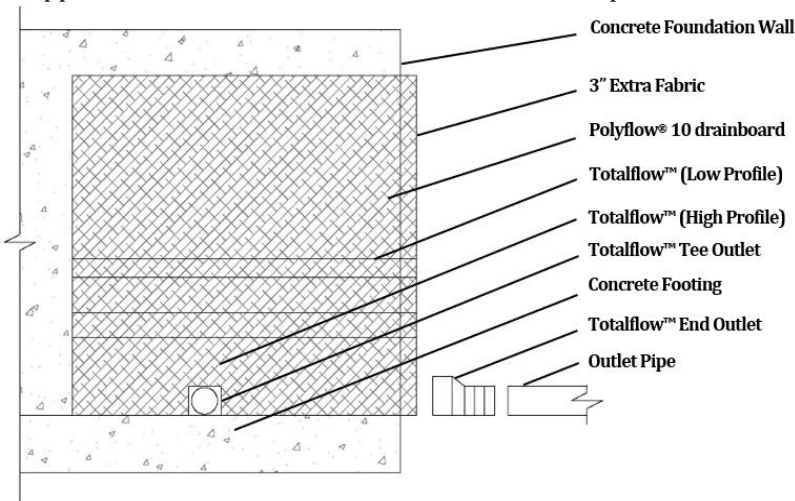
Technical assistance, information and Poly Wall® products are available through a nationwide network of distributors or contact Poly Wall® Building Solutions. P.O. Box 755, Ennis, TX 75120-0755 Phone: 888-976-7659 Email: tech@poly-wall.com Website: www.poly-wall.com

Attaching Next Roll of Polyflow® 10 Drainboard



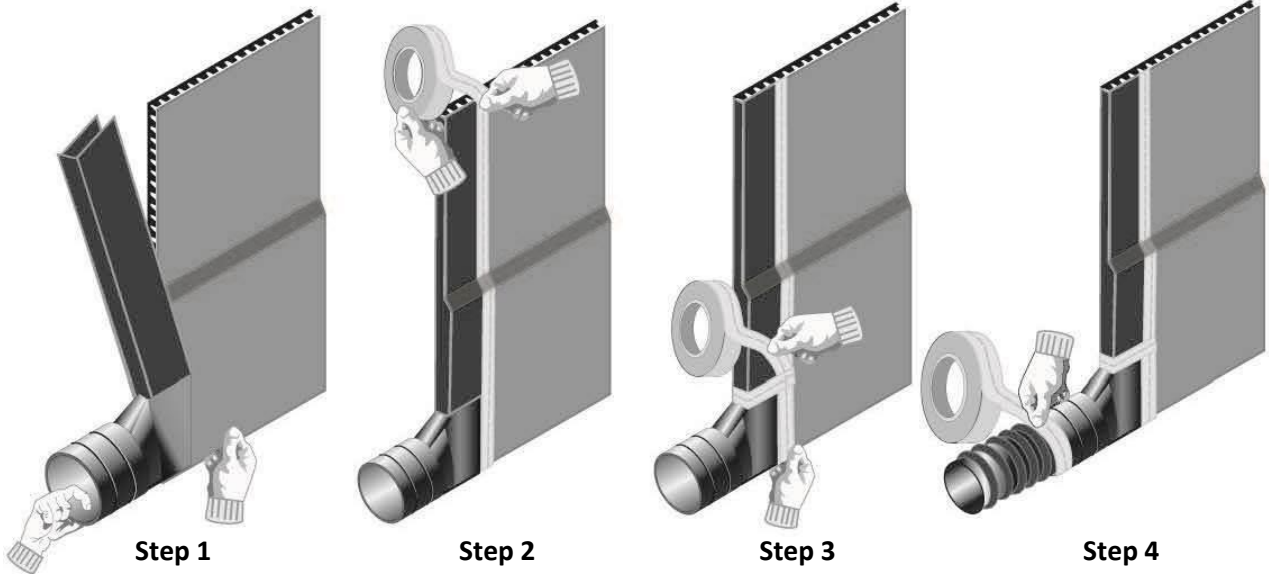
Polyflow® 10 Vertical Drainage Board Layout

Fold back edge of fabric on lower (or downstream) drain. Do not detach from dimples. Place cones of upper (upstream) drain over flange of lower drain. Overlap fabric of upper drain over lower drain. Seal seam with 3" tape.



Polyflow® 10 Vertical Drainage Board Overlap

TOTALFLOW™ END OUTLETS



TOTALFLOW™ TEE OUTLETS

